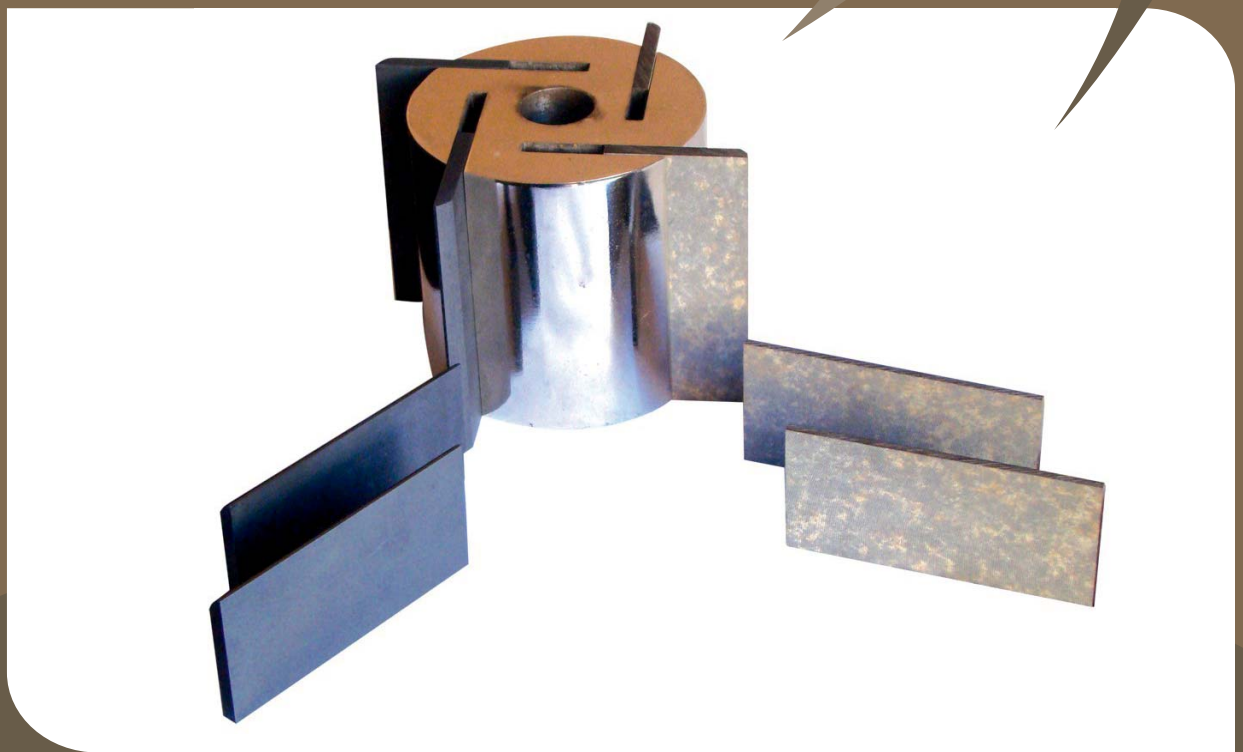


carbon lamella



CARBON BRUSHES & BRUSH HOLDERS



CARBON C6

• products for industry

www.carbon-c6.com

PRESENTATION

The company "CARBON C6" Ltd - BULGARIA supply all kinds of graphite, electro-graphite and metal-graphite brushes that are used for all electric motors, generators, turbine generators for nuclear, hydro and thermal power plants, mining, ports, power tools and electric household appliances and many others.

"CARBON C6" Ltd - BULGARIA also delivers brush holders and any possible design according to your drawings or samples, sealing rings of carbon / graphite components for pumps, axial airtight rotating rings, used in abrasive and corrosive environments. Also camps: Carbon / Graphite and without cylindrical component / nest. As graphite technology and machines for specific processes with high temperatures above 1000 C (Celsius). Long experience and high technological equipment of world famous companies that have contractual relationships "Carbon C6" allows us to deliver to the customer in a very short time needed graphite components with good payment terms and the opportunity to a variety of best, qualitatively material to follow the latest technological solutions and deliver products with extreme precision to make sure the safe operation and good graphite components.

We emphasize quality and service to our customers.

"Carbon C6" Ltd. is always there for you, for your needs graphite brushes and brush holders.

TRUST is important to us.

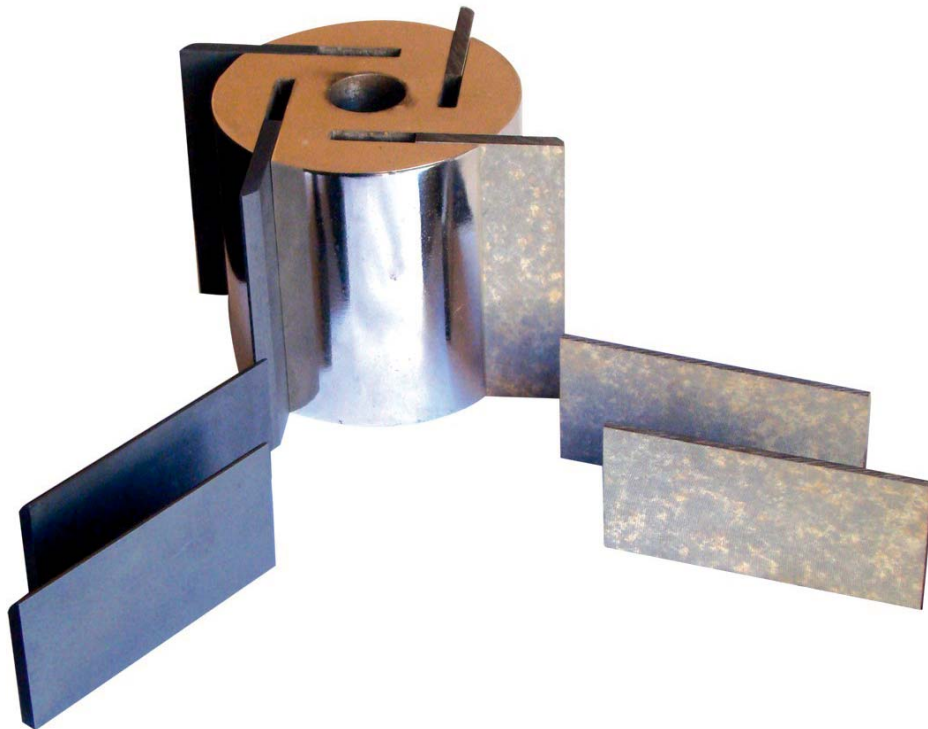
"CARBON C6" Ltd

QUALITY - SAFETY - SERVICE.

For more information do not hesitate to contact us: + 359 886 51 52 53



CARBON LAMELLA



FOR MILKING, PRINTING AND GAS STATION PUMP MOTORS

4.90 x 43 x 70

4.90 x 40 x 65

4.90 x 41 x 70

4.90 x 41 x 85

4 x 43 x 63

4 x 43 x 85

4 x 43 x 95

6 x 46 x 70

4 x 40 x 170

4 x 40 x 200

4 x 39 x 250

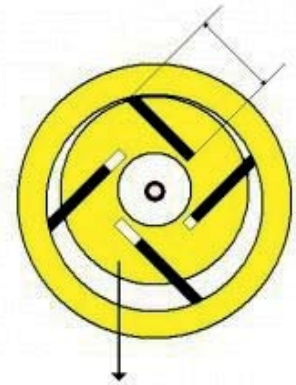
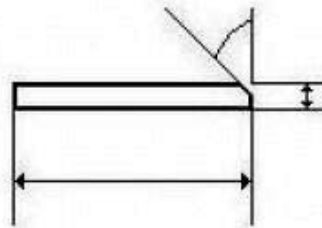
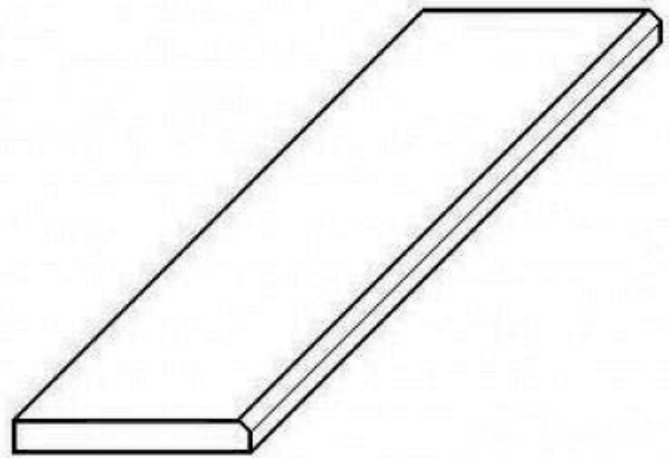
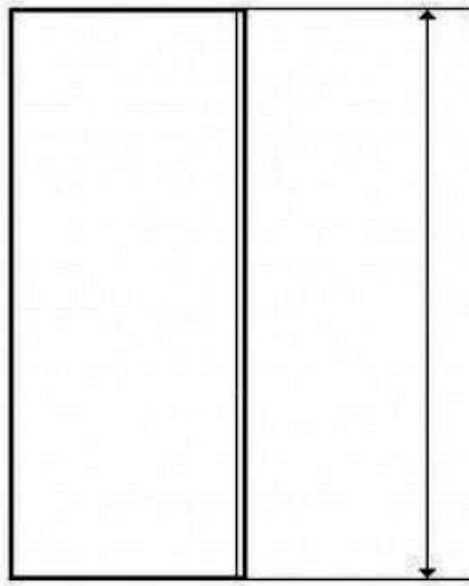
4 x 48 x 240

5 x 52 x 130

5 x 52 x 260

5 x 65 x 355

6 x 58 x 95





CARBON C6
products for industry

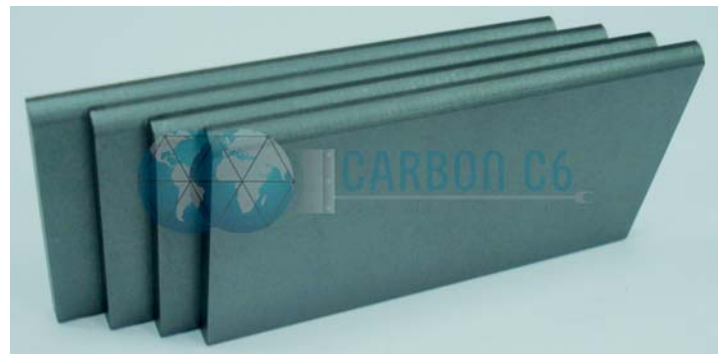
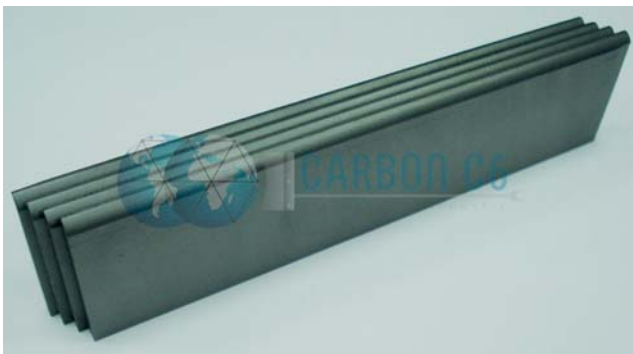
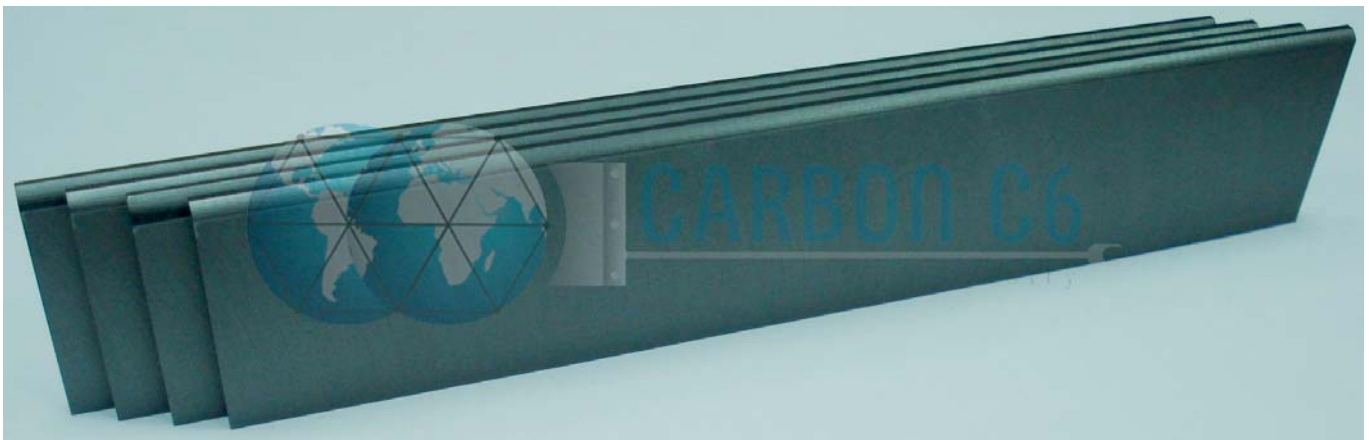
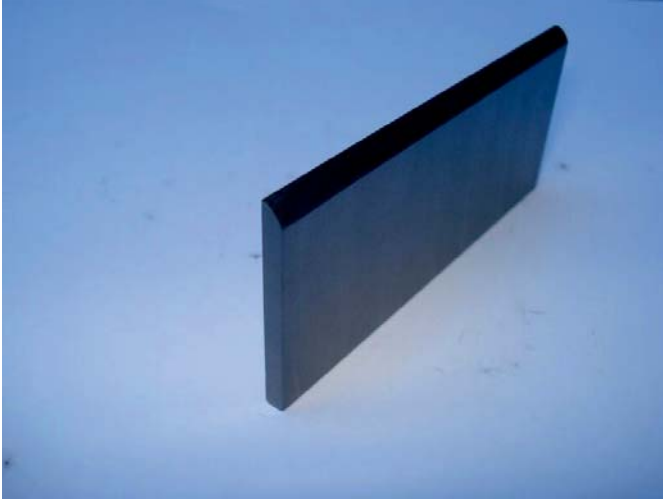
CARBON BRUSHES & BRUSH HOLDERS

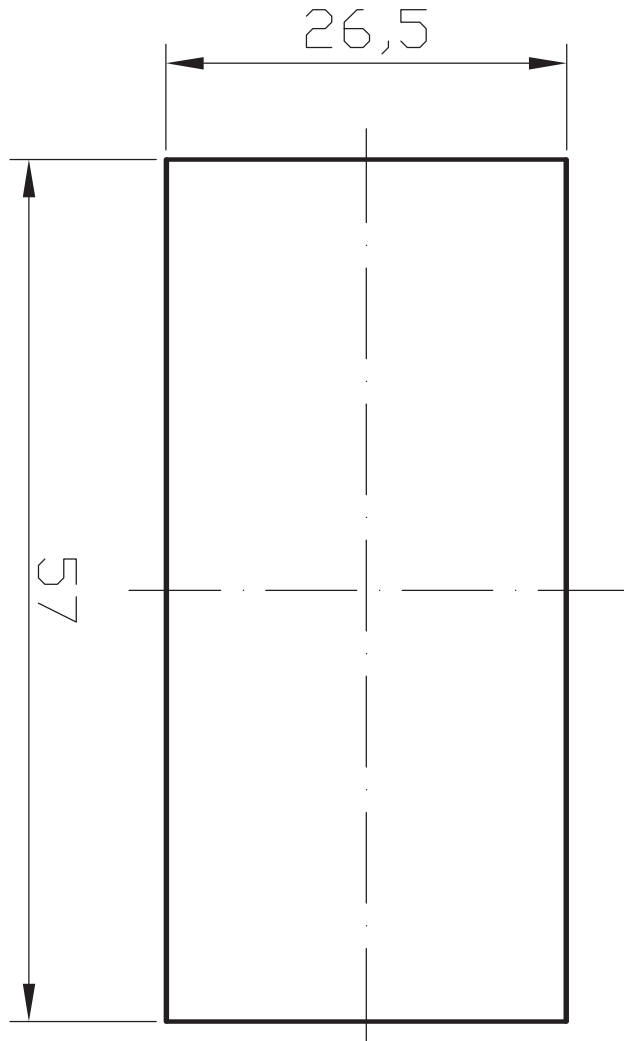
mobile: +359 886 51 52 53

office@carbon-c6.com

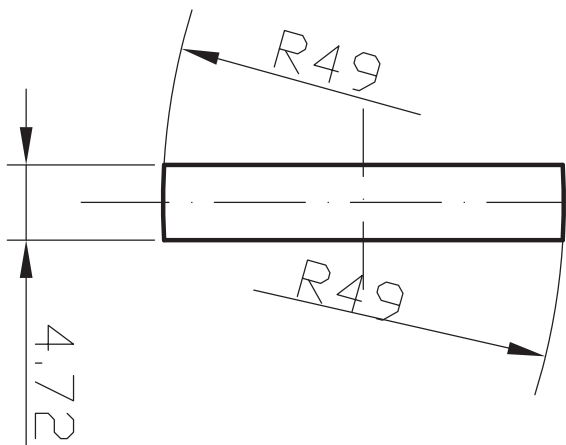
tel./fax: +359 391 22209

www.carbon-c6.com





Ламeра Benet
M 2:1





CARBON C6
products for industry

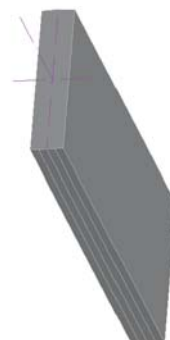
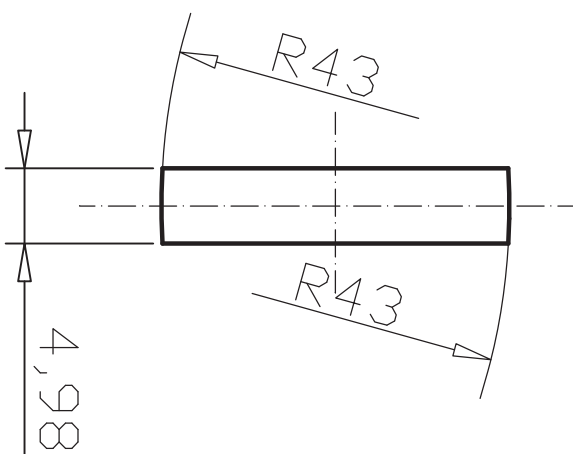
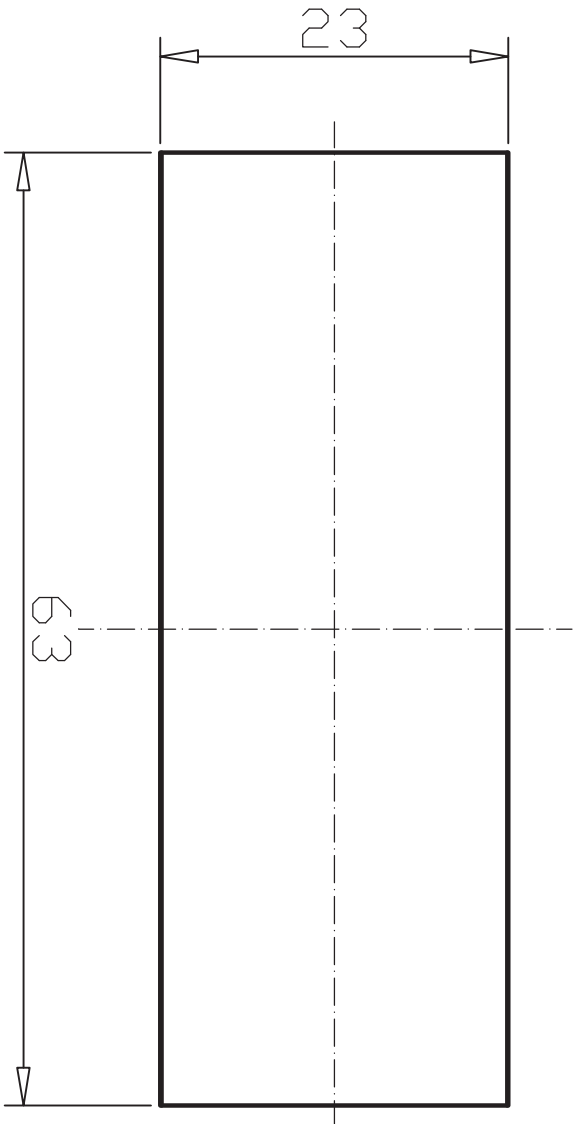
CARBON BRUSHES & BRUSH HOLDERS

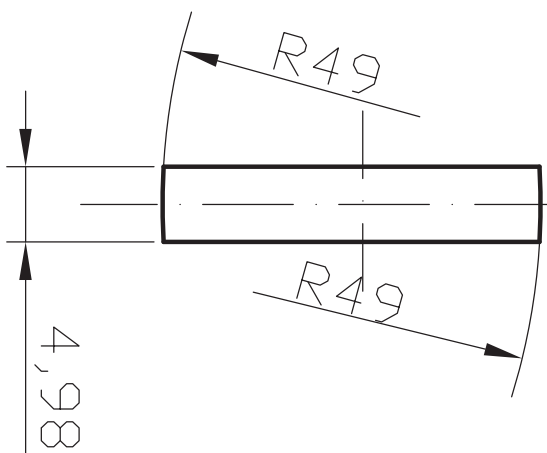
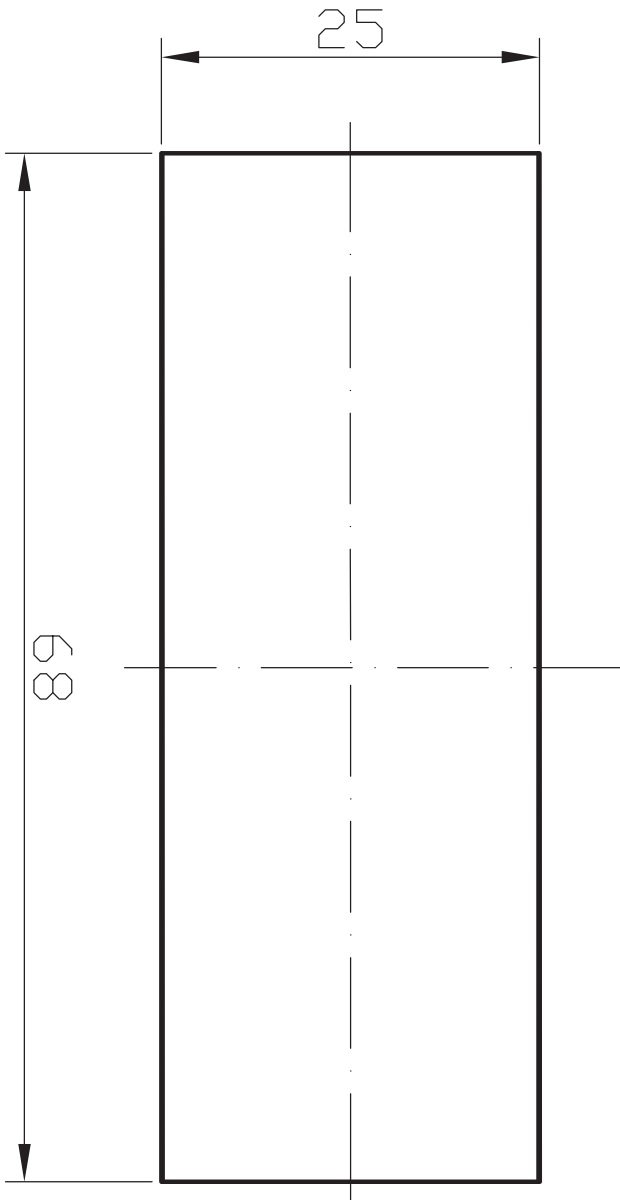
mobile: +359 886 51 52 53
tel./fax: +359 391 22209

office@carbon-c6.com
www.carbon-c6.com

ЛAMEЛТА
за помпа GAMA - Scheidt & Bachmann

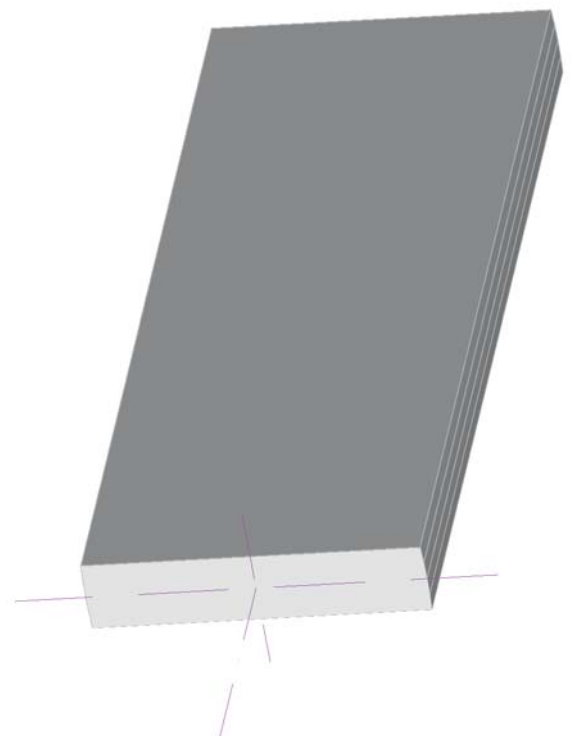
M 2:1



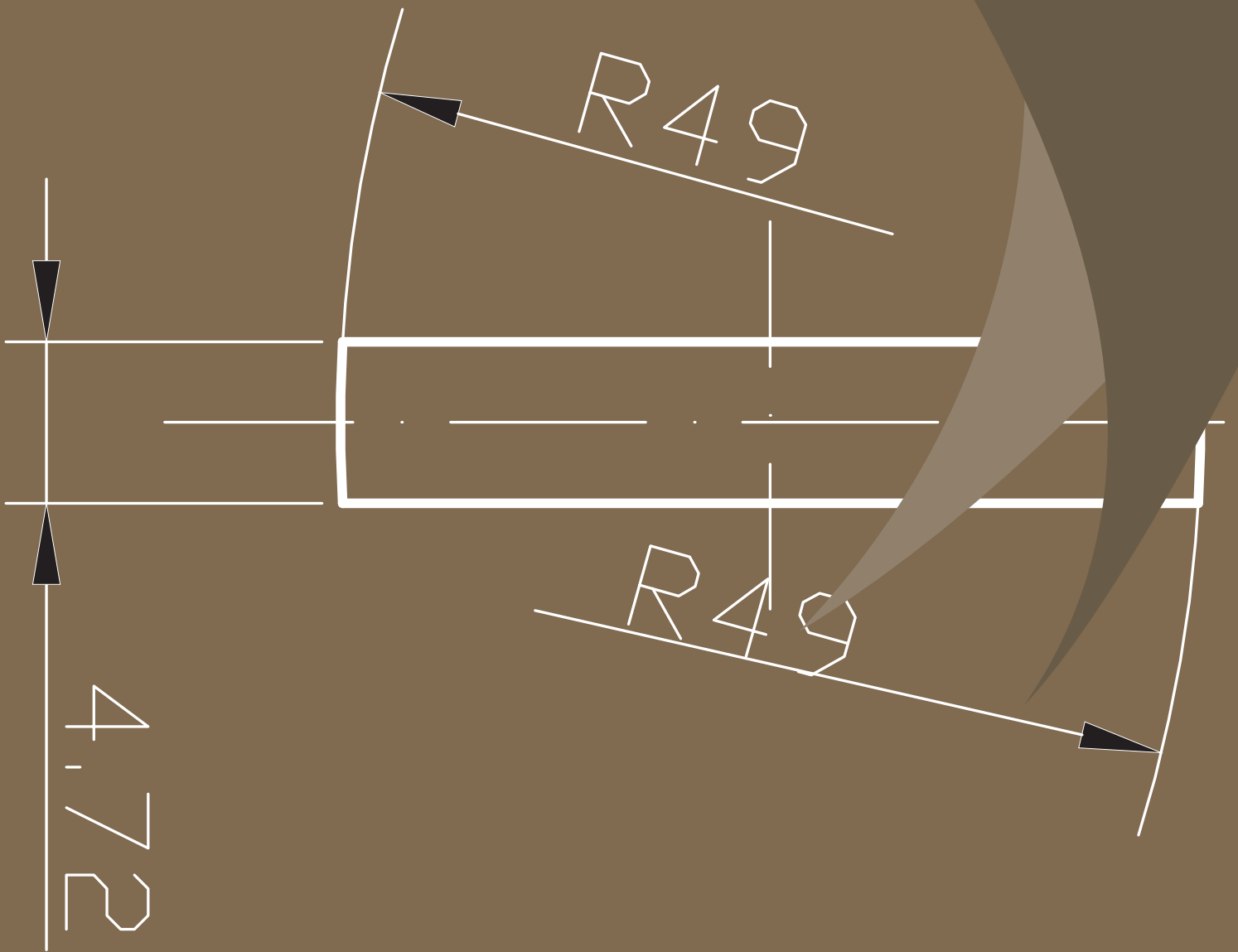


M 2:1

Ламела MZ6XXX



carbon
lamella



CARBON C6

products for industry

CARBON BRUSHES & BRUSH HOLDERS

office@carbon-c6.com

Mobile: +359 886 51 52 53 | Tel./Fax: +359 391 22209

www.carbon-c6.com